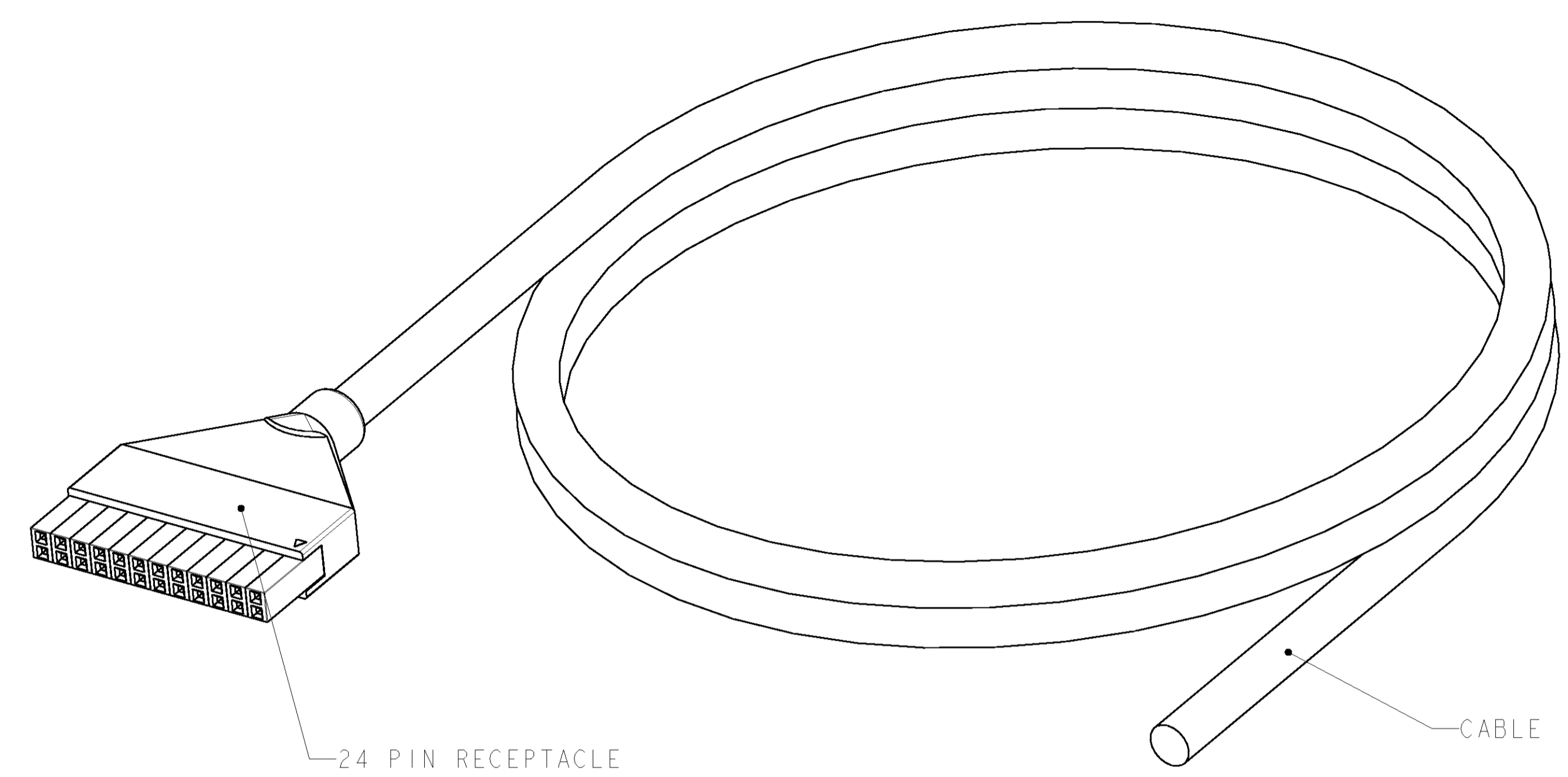
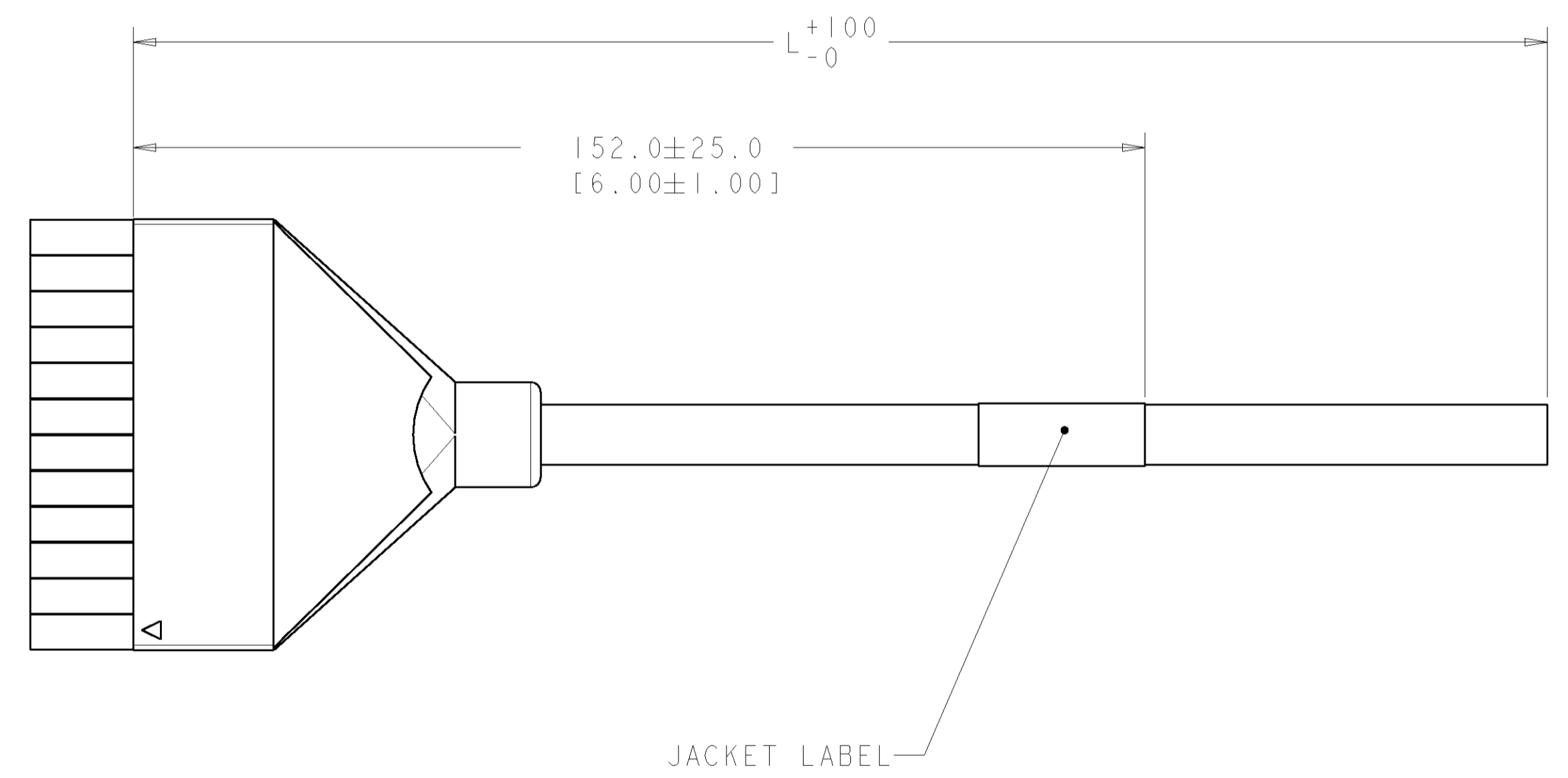
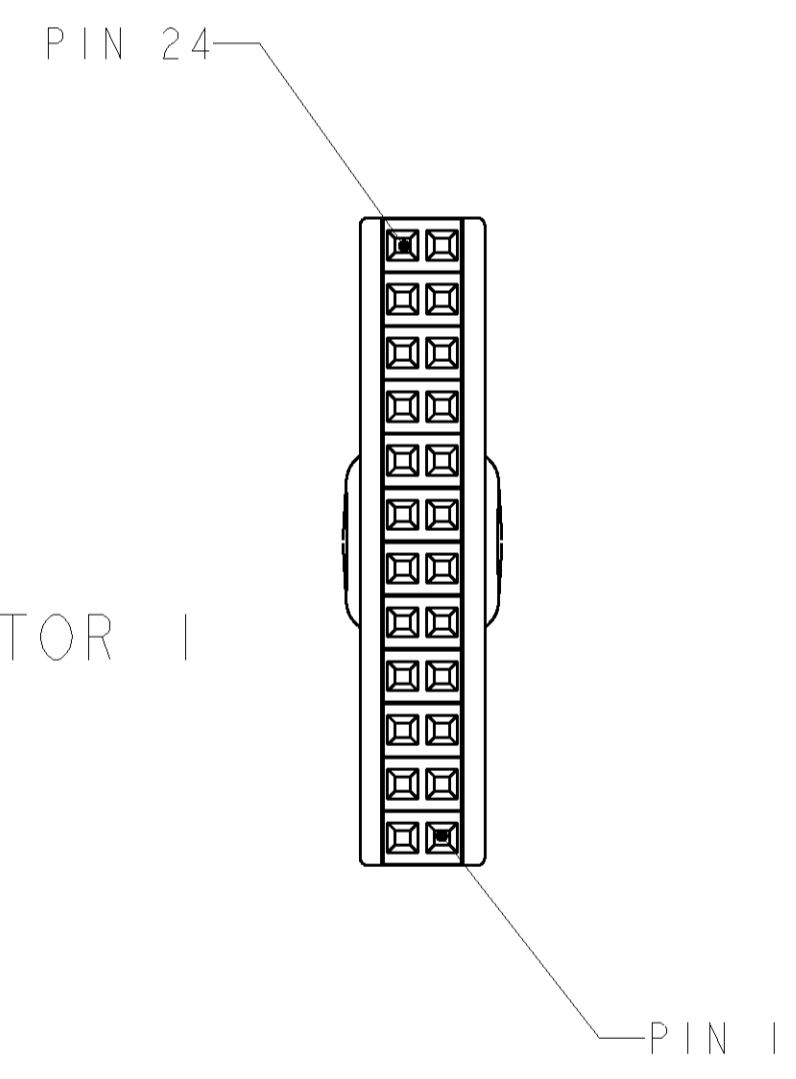


LOC	DIST	REVISIONS			
P	LTR	DESCRIPTION	DATE	DNW	APVD
A	ESE0-0077-03	01-Sep-03	JG	JG	
B	ESE0-0110-03	06-Nov-03	JG	JG	
C	ESE0-0122-03	17-Nov-03	JG	AP	



⚠ CABLE ASSEMBLY SHALL BE WIRED PER WIRING DIAGRAM.
 ⚠ ABCD IS DATE CODE, AB - YEAR, CD - WEEK.



⚠ AMPTRAC I/O CABLE 24AWG FH01 LSZH ABCD

CABLE MARKING

⚠

⚠

COLOR CODING AND WIRING SCHEME		
CONDUCTOR NO.	INSULATION COLOR	CONNECTOR 1 PIN NO.
1	WHITE/BLUE	1
2	BLUE/WHITE	2
3	WHITE/ORANGE	3
4	ORANGE/WHITE	4
5	WHITE/GREEN	5
6	GREEN/WHITE	6
7	WHITE/BROWN	7
8	BROWN/WHITE	8
9	WHITE/GRAY	9
10	GRAY/WHITE	10
11	RED/BLUE	11
12	BLUE/RED	12
13	RED/ORANGE	13
14	ORANGE/RED	14
15	RED/GREEN	15
16	GREEN/RED	16
17	RED/BROWN	17
18	BROWN/RED	18
19	RED/GRAY	19
20	GRAY/RED	20
21	BLACK/BLUE	21
22	BLUE/BLACK	22
23	BLACK/ORANGE	23
24	ORANGE/BLACK	24

7	15000.0	I-1435487-5
6	10000.0	I-1435487-0
5	5020.0 - 5170.0 [197.64 - 203.54]	1435487-5
4	4000.0	1435487-4
3	3000.0	1435487-3
2	2010.0 - 2110.0 [79.13 - 83.07]	1435487-2
1	1000.0	1435487-1
METER	L	PART NO.

<small>THE INFORMATION CONTAINED HEREIN IS UNCLASSIFIED EXCEPT WHERE SHOWN OTHERWISE. IT IS THE PROPERTY OF TYCO ELECTRONICS CORPORATION AND IS TO BE CONTAINED AND CONTROLLED BY THE USER'S ORGANIZATION UNLESS SO INDICATED BY THE USER'S ORGANIZATION.</small>		DWN L. SMITH 18NOV2002 CHK *** APVD P. PEPE ***	tyco Electronics Tyco Electronics AMP Espana S.A. Barcelona, Spain
DIMENSIONS: MM [INCHES]	TOLERANCES UNLESS OTHERWISE SPECIFIED: 0 PLC ± 1 PLC ± 2 PLC ± 3 PLC ± 4 PLC ± ANGLES ± FINISH	NAME AMPTRAC I/O CABLE TO IDC LSZH	SIZE CAGE CODE DRAWING NO. RESTRICTED TO
MATERIAL	FINISH	WEIGHT CUSTOMER DRAWING	A1 00779 C=1435487 SCALE NTS SHEET 1 OF 1 REV C